

INNOVA J

Overflow Single Seat Valve



APPLICATION

The INNOVA type J valve is a pneumatic single seat valve designed for use as overflow valve in hygienic installations. Its most important applications involve operating as a by-pass valve for positive displacement pumps or protecting equipment against excessive pressure.

Adjusting the screw on the upper part sets the spring pressure, which sets the valve's closing pressure.

The valve opens when the set pressure is exceeded.

The valve comes with an actuator that enables liquid to flow during CIP cleaning processes.

DESIGN AND FEATURES

Opening pressure range: 50 kPa - 600 kPa (0,5 bar - 6 bar).

Easy assembly/disassembly of internal parts by loosening a clamp fastener.

Open lantern allows visual inspection of shaft sealing.

360° adjustable body.

TECHNICAL SPECIFICATIONS

Materials

Parts in contact with the product	1.4404 (AISI 316L)
Other stainless steel parts	1.4301 (AISI 304)
Gasket in contact with the product	EPDM

Surface finish

Internal	Bright polish $Ra \leq 0,8 \mu m$
External	Matt

Available sizes

DIN EN 10357 series A <small>(previously DIN 11850 series 2)</small>	DN 25 - DN 100
ASTM A269/270 <small>(corresponds to OD pipe)</small>	OD 1" - OD 4"

Connections

Weld

Operating limits

Temperature range	-10°C to 121°C	14°F to 250°F
SIP temperature	140°C (max. 30 min)	284°F
Maximum working pressure	1000 kPa (10 bar)	145 PSI
Minimum working pressure	Vacuum	Vacuum
Maximum opening pressure	50 kPa - 600 kPa (0,5 bar - 6 bar)	7,3 PSI - 87 PSI
Compressed air pressure	600 kPa - 800 kPa (6 - 8 bar)	87 - 116 PSI

OPTIONS

Gaskets: HNBR or FPM.

Other connection types.

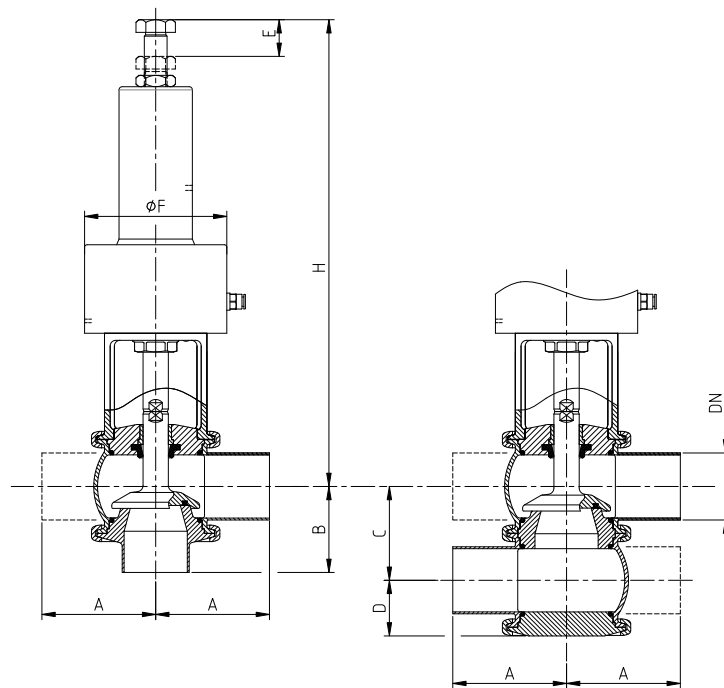
Opening pressure range: from 6 to 10 bar for sizes DN 25, 40, 50, 65 and 80.

External position sensors.

Internal surface finish: Ra < 0,5 µm.

Bodies with heating jacket.

Steam barrier.

DIMENSIONS

10.245.32.0056

	DN	Pipe	A	B	C	D	E	ØF	H	kg ¹
DIN	25	29,0 x 1,50	50	50	50	32	35	87	335	4,3
	40	41,0 x 1,50	85	60	62	38	35	87	344	5,3
	50	53,0 x 1,50	90	68	74	44	35	112	373	8,1
	65	70,0 x 2,00	110	81	92	53	35	145	410	14,2
	80	85,0 x 2,00	125	90	107	60	35	145	417	15,5
	100	104 x 2,00	150	125	127	70	16	145	405	18,8
OD	1"	25,4 x 1,65	50	50	46	30	35	87	333	4,3
	1½"	38,1 x 1,65	85	60	59	36	35	87	343	5,3
	2"	50,8 x 1,65	90	68	72	43	35	112	372	8,1
	2½"	63,5 x 1,65	110	81	86	50	35	145	407	14,1
	3"	76,2 x 1,65	125	90	99	56	35	145	413	15,3
	4"	101,6 x 2,11	150	125	124	69	16	145	404	18,7

1) The weights correspond to the "L" housing combination

HOUSING COMBINATIONS

